

Digital Undercounter Refrigerated Counter - 3 Door (R290)

ITEM # _____

MODEL # _____

NAME # _____

SIS # _____

AIA # _____



710411 (EJ3H7AAA)

3-door Refrigerated Counter, -2+10°C, AISI 304 (R290), without work top

Short Form Specification

Item No.

AISI 304 stainless steel panels, AISI 430 bottom panel, galvanized back panel. N. 3 full doors. Built-in refrigeration unit. Operating temperature: -2+10°C. R290 gas in refrigeration circuit. Supplied with 1 grid for each door compartment

Main Features

- Digital control panel allowing the easy and precise setting and control of the internal temperature.
- Operating temperature can be adjusted from -2 to +10 °C to suit different food storage requirements.
- Complies with main international certification bodies and is CE marked.
- Kit 1/2 drawers available as accessory.
- Completely automatic defrosting and automatic evaporation of defrost water by hot gas.
- Forced air cooling system guaranteeing great uniformity of the temperature in the counter and excellent conservation of the food quality.
- Kit 1/3 drawers available as accessory.
- Tropicalized unit.

Construction

- Built-in compressor to suit operating conditions.
- Legs in 304 AISI stainless steel (150 mm high, adjustable in height), with plastic interior.
- Internal and external doors, front and side panels in 304 AISI stainless steel.
- Back panel in galvanized steel.
- The door self-closes when opened less than at a 90° angle and is equipped with a door seal to guarantee perfect closure.
- High standards of hygiene and ease of cleaning are guaranteed by the rounded internal corners of the cabinet and easily removable runners and grids.

Included Accessories

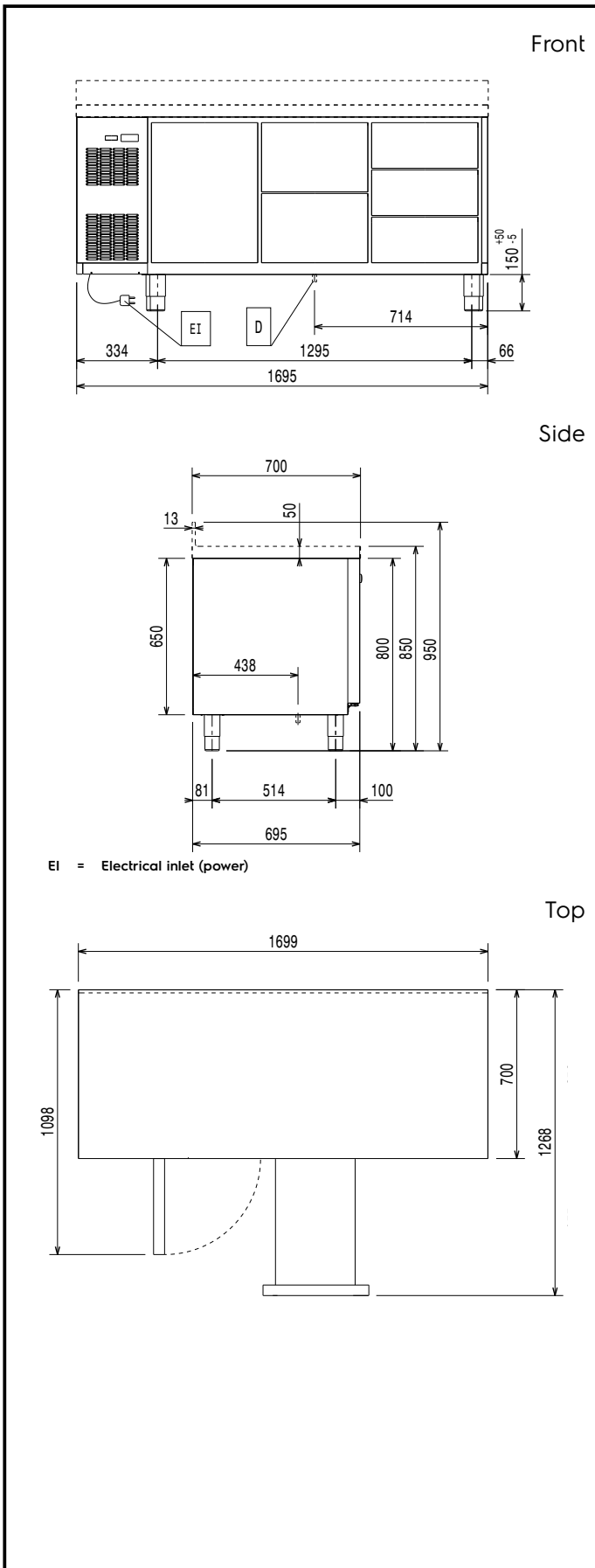
- 3 of Kit 1/1 grey rilsan grid and 2 side runners for refrigerated counters PNC 881109

Optional Accessories

- 1/1GN grey rilsan grid for refrigerated counters PNC 881107
- 2 side runners for 1/1 GN ecostore refrigerated counters PNC 881108
- Kit 1/1 grey rilsan grid and 2 side runners for refrigerated counters PNC 881109
- 1/1 GN plastic container, H=65 mm PNC 881110
- 1/1 GN plastic container, H=100 mm PNC 881111
- 2x½ drawer kit for refrigerated counters - h650mm PNC 881176
- 3x1/3 drawer kit for refrigerated counters - h650mm (only for refrigerated counters) PNC 881177
- 1/3 and 2/3 bottle drawer kit for refrigerated counters - h650mm (only for refrigerated counters) PNC 881178
- Kit 4 wheels, H=100 mm (2 with brakes) for refrigerated counters PNC 881191
- Kit 4 wheels, H=150 mm (2 with brakes) for 2&3 compartment refrigerated counters PNC 881193

APPROVAL: _____

- Lock for refrigerator/freezer counters with 3 compartments - h650mm (can be used in kit for Marine conversion) PNC 881246
- Kit 4 (45mm) spacers for wheels for refrigerator/freezer counters PNC 881277
- IoT module for refrigerated cabinets and counters PNC 881298



Electric

Supply voltage: 220-240 V/1 ph/50 Hz
 Electrical power, max: 0.22 kW

Key Information:

Net Volume: 245.4 lt
 N° of doors: 3
 External dimensions, Width: 1695 mm
 External dimensions, Depth: 700 mm
 External dimensions, Height: 800 mm
 Internal Dimensions, Width: 1252 mm
 Internal Dimensions, Depth: 560 mm
 Internal Dimensions, Height: 510 mm
 Net weight: 110 kg
 Shipping volume: 1.36 m³
 Depth with doors open: 1310 mm
 Gross capacity:

Refrigeration Data

Control type: Digital
 Min/Max internal humidity: 40/85
 Operating temperature min.: -2 °C
 Operating temperature max.: 10 °C
 Compressor power: 1/4 hp
 Operating mode: Ventilated
 Insulation: 90 mm (Cyclopentane)

ISO Certificates

ISO Standards: ISO 9001; ISO 14001; ISO 45001; ISO 50001

Sustainability

Refrigerant type: R290
 GWP Index: 3
 Refrigeration power: 320 W
 Refrigerant weight (unit 1): 65 g
 Energy Class (EU Reg. 2015/1094): B
 Yearly and daily energy consumption (EU Reg. 2015/1094): 605kWh/year - 1.66kWh/24h
 Climate class (EU Reg. 2015/1094): Heavy Duty (5)
 Energy Efficiency Index-EEI (EU Reg. 2015/1094): 25,03

EU energy labelling from 1st July 2016

The European energy labelling scheme for professional refrigerators and freezers is based on requirements setting Minimum Energy Performance standards for commercial refrigeration cabinets sold within the EU.

These requirements are designed to drive energy efficiency and environmentally friendly approach for professionals. The European energy labelling scheme will apply to all manufacturers and importers who sell and market products within the EU and it is mandatory across Europe. Important: all products which consume energy above the minimum level will not be able to be sold within the EU from 1 July 2016.

SI 2020 No. 1528.

Important: all products which consume energy above the minimum level will not be able to be sold within the EU from 1 July 2016.

